



Instructions for use

Warming drawer

ODW8123S / HZWE140

ODW8127A / HZWE140

ODW8127B / HZWE140

ODW8127S / HZWE140

ODW8128G / HZWE140

ODW8327A / HZWE290

ODW8327S / HZWE290

ODW8328G / HZWE290

Pictograms used



Important information

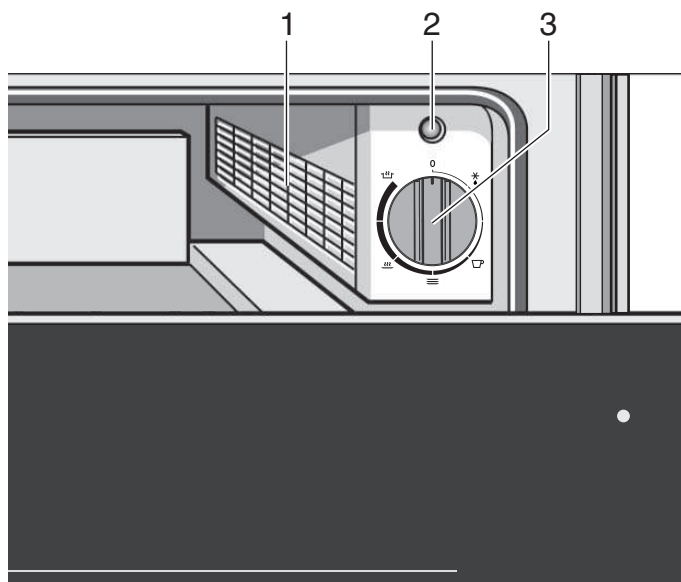


Tip

CONTENTS

<u><i>Description of the appliance</i></u>	4
<u><i>Safety instructions</i></u>	5
<u><i>Using the warming drawer</i></u>	
General	6
Operating elements	6
Operating principle	6
Selecting the temperature	6
Warming time	7
<u><i>Installation</i></u>	8
<u><i>Maintenance and cleaning</i></u>	11
<u><i>Environmental protection</i></u>	12

DESCRIPTION OF THE APPLIANCE



1. Fan and heating
2. Indicator light
 - Flashes if the appliance is switched on.
 - Lights up if the appliance is switched on and the drawer is closed.
3. Dial for setting the temperature

The temperature set is the temperature of the hot plate at the bottom of the drawer when the drawer is empty. Measurements using an external thermometer can vary and are not suitable for checking the temperature precisely.

The appliance will only heat up when the drawer is closed.

SAFETY REGULATIONS



Read the separate safety instructions before using the device!

Keep this manual with your appliance. Ensure that you include the manual with the appliance if you sell or give it to someone else. Please read the recommendations before installing and using the warming drawer. These have been compiled for your safety and that of others.

This warming drawer is designed for use by individuals in their home. It is only intended for pre-warming tableware, keeping food warm and slow cooking. Any other use is prohibited and may be dangerous. The manufacturer disclaims liability in the event of improper use.

Under certain conditions, the outside of the warming drawer may reach 70 °C (depending on the selected temperature and length of use). Always use oven mitts or gloves to remove the warmed tableware from the drawer.

Keeping food warm

Never place items such as pans in the drawer directly from naked flame or from the oven as this may damage the hot plate.

The drawer may be loaded to a maximum 25 kg. Overloading can damage the appliance.

Do not climb or sit on the open drawer as this may damage the appliance.

Do not store or place plastic products or flammable objects in the appliance. These could melt or catch fire during use.

USING THE WARMING DRAWER

General

A protective grille prevents contact with the elements and the fan.

Operating elements

There is an ON/OFF and temperature regulation dial. This dial is only visible when the drawer is open.

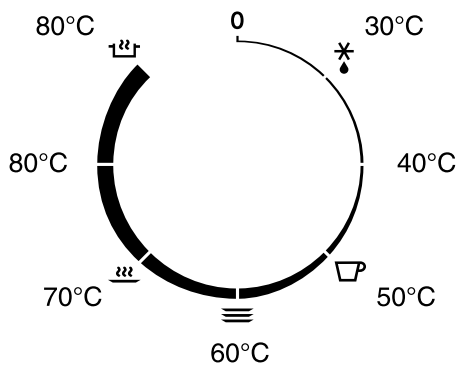
When the drawer is closed, the indicator light on the front shows whether the appliance is switched on.

Operating principle




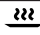

- Place the crockery or plates with food in the drawer.
- Set the desired temperature.
The 'appliance on' indicator will flash.
- Close the drawer.
The 'appliance on' indicator will light up.

Selecting the temperature

Use the temperature knob to set a temperature between 30 and 80 °C.



USING THE WARMING DRAWER

Icon	Temperature	Function	Application
0	0	Off	-
	30 °C	Defrosting	For defrosting food. Allowing dough to rise.
-	40 °C	Defrosting	
	50 °C	Warming cups and glasses	Warming coffee cups.
	60 °C	Warming crockery	Warming plates and dishes. Keeping food warm (eggs, bread).
	70 °C	Keeping food warm	Keeping food warm (meat, fish, vegetables).
-	80 °C	Keeping food warm and reheating	Keeping food warm and reheating food.
	80 °C with fan	Slow cooking	After browning place the pan or dish in the drawer. Allow the dish to cook slowly for the recommended time.

Warming time

The warming time for tableware depends on several factors:

- material and thickness of the tableware;
- fill level;
- distribution of the load;
- temperature control.

This means that it is not possible to give precise data in advance.

A few recommendations:

Even warming at a temperature of 60 °C will take:

- approximately 30 mins for crockery for a meal for six people
- approximately 40 mins for crockery for a meal for twelve people

You will learn from experience which timing suits your crockery best.

INSTALLATION

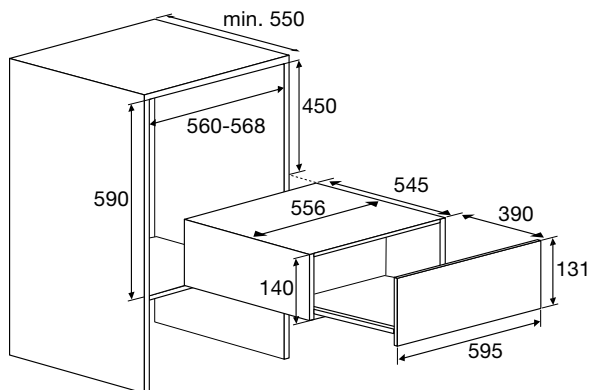


Built-in

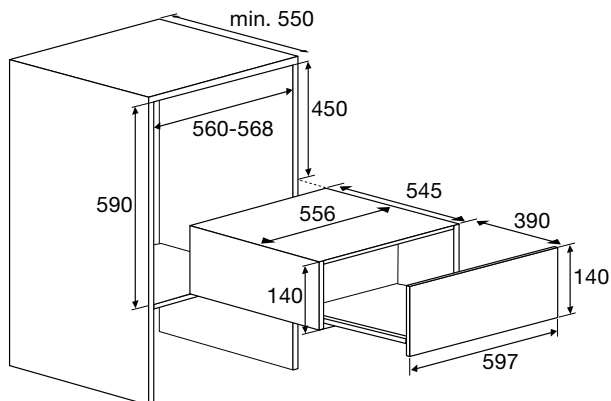
Prior to connecting the drawer to mains power, ensure that all cables in your home's electrical system are of sufficient diameter to supply the appliance properly. Your system should be protected by a 10-amp fuse.

Slide the appliance in the kitchen cupboard aperture. Check whether the casing fits correctly. Open the drawer and secure the appliance to the cupboard using the 4 screws supplied.

ODW8123S

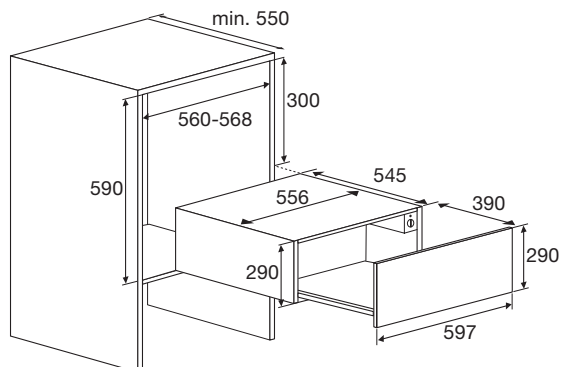


ODW8127A - ODW8127B - ODW8128G

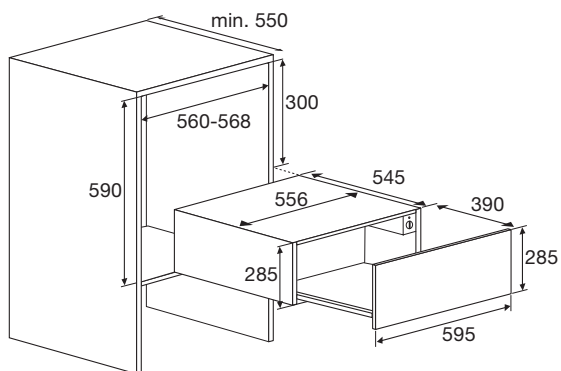


INSTALLATION

ODW8327A - ODW8328G

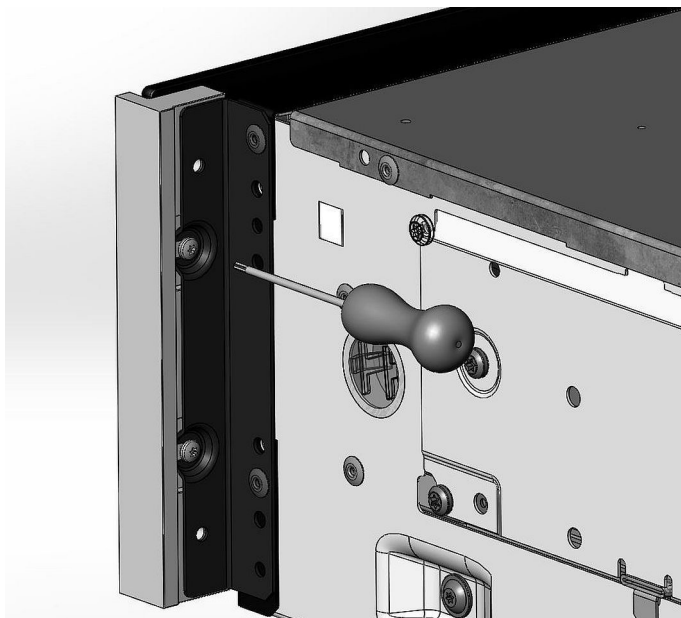


ODW8327S

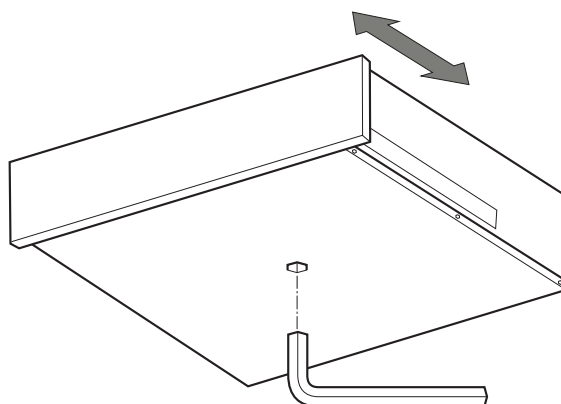


INSTALLATION

The aluminium profiles can be adjusted +/- 1 mm on the ODW8128G and ODW8328G.



The front can be adjusted by a few millimetres for alignment with other appliances. Use the Allen key at the bottom of the appliance for this.



MAINTENANCE AND CLEANING

Switch off the appliance and allow it to cool before carrying out maintenance.

All surfaces should be cleaned only with a damp cloth and some soapy water. Then dry with a soft cloth.

Do not use a steam cleaner to clean the appliance.

Using abrasive products, alcohol or solvents is not recommended; these can damage the appliance.

The front is stainless steel or glass and is susceptible to scratching. Use special non-abrasive cleaning products suitable for stainless steel.

The glass bottom can be cleaned with warm water and washing-up liquid. It should only be replaced in the drawer once it is perfectly dry.

YOUR APPLIANCE AND THE ENVIRONMENT

Disposal of the appliance and packaging

This product is made from sustainable materials. However, the appliance must be disposed of responsibly at the end of its useful life. The government can provide you with information about this.

The appliance packaging is recyclable. The following materials have been used:

- cardboard
- polyethylene wrapping (PE)
- CFC-free polystyrene (hard PS foam)

Dispose of these materials responsibly in accordance with legal provisions.



The product has a pictogram of a crossed-out waste container. This indicates that household appliances must be disposed of separately. This means that the appliance may not be processed via the regular waste flow at the end of its useful life. You should take it to a special municipal waste depot or a sales outlet that offers to do this for you.

Collecting household equipment separately prevents harm to the environment and public health. The materials used in manufacturing this appliance can be recycled, which provides considerable savings in energy and raw materials.

Declaration of conformity



We hereby declare that our products comply with the relevant European directives, standards and regulations as well as all requirements referred to in the standards.



The appliance rating label is located on the inside of the appliance.

When contacting the service department,
have the complete type number to hand.

You will find the addresses and phone numbers of the service organisation on the
guarantee card.

 **ASKO**



713090